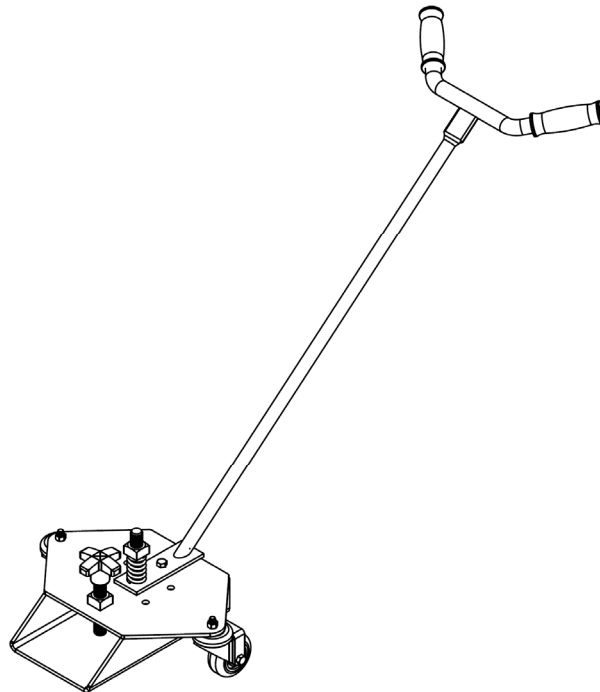




VESTIL MANUFACTURING CORP.
 2999 North Wayne Street, P.O. Box 507, Angola, IN 46703
 Telephone: (260) 665-7586 -or- Toll Free (800) 348-0868
 Fax: (260) 665-1339
www.vestilmfg.com e-mail: sales@vestil.com

FC-29 FORK CADDY

INSTRUCTION MANUAL



Receiving instructions:

After delivery, IMMEDIATELY remove the packaging in a manner that preserves it and maintains the orientation of the product in the packaging. Then, inspect the product closely to determine whether it sustained damage during transport. **If damage is discovered, immediately record a complete description of the damage on the bill of lading.** If the product is undamaged, discard the packaging.

NOTES:

- 1) Compliance with laws, regulations, codes, and non-voluntary standards enforced in the location where the product is used is exclusively the responsibility of the owner/end-user.
- 2) VESTIL is **not liable** for any injury or property damage that occurs as a consequence of failing to apply either: a) Instructions in this manual; or b) information provided on labels affixed to the product. Neither is Vestil responsible for any consequential damages sustained as a result of failing to exercise sound judgment while assembling, installing, using or maintaining this product.

Table of Contents

Signal words.....	2
Safe use recommendations.....	2
Product specifications.....	3
FIG. 1: Exploded parts diagram and bill of materials.....	3
Installation, operation, & maintenance.....	4
Limited warranty.....	5

Signal Words:

This manual uses SIGNAL WORDS to indicate the likelihood of personal injuries, as well as the probable seriousness of those injuries, if the product is misused in the ways described. Other signal words call attention to uses of the product likely cause property damage.

The signal words used appear below along with the meaning of each word:



Identifies a hazardous situation which, if not avoided, **WILL** result in **DEATH** or **SERIOUS INJURY**. Use of this signal word is limited to the most extreme situations.



Identifies a hazardous situation which, if not avoided, **COULD** result in **DEATH** or **SERIOUS INJURY**.



Indicates a hazardous situation which, if not avoided, **COULD** result in **MINOR** or **MODERATE** injury.



Identifies practices likely to result in product/property damage, such as operation that might damage the product.

Each person who assembles, installs, uses, or maintains this product should read the entire manual **in advance and fully understand the directions**. **If after reading the manual you do not understand an instruction, ask your supervisor or employer for clarification, because failure to adhere to the directions in this manual might result in serious personal injury.**

Safe use recommendations:

Vestil diligently strives to identify foreseeable hazards associated with the use of its products. However, material handling is inherently dangerous and no manual can address every conceivable risk. The end-user ultimately is responsible for exercising sound judgment at all times.



Electrocution might result if any part of the fork caddy or fork tine in the caddy contacts electrified wires.

Reduce the likelihood of electrocution by applying **common sense**:

- DO NOT *contact* electrified wires with any part of the caddy or the fork in it;
- DONOT use the caddy in a location where contact with electrified wires will or is likely to occur.



If this product is used improperly or carelessly, the operator and/or bystanders might sustain serious personal injuries. **ALWAYS** use the product properly:

- ***Failure to read and understand the entire manual before assembling, installing, using or servicing the product constitutes misuse.*** Read the manual to refresh your understanding of proper use and maintenance procedures as necessary.
- DO NOT exceed the maximum rated load.
- Referring to FIG. 1 on p. 3, inspect the caddy before each use. DO NOT use this device if the inspection reveals structural damage. Examples of structural damage include: 1) broken, deformed, etc. fork/tine carrier or handle; 2) cracked welds; 3) enlarged openings for fasteners, particularly the threaded opening for the star knob; 4) corrosion, severe wear, or other condition that affects the ability of the product to support applied weight. Immediately tag out the caddy and replace each part that fails to pass an inspection. DO NOT use the product until it is fully restored to normal condition. **ONLY** use manufacturer-approved replacement parts.
- DO NOT use the product if any unusual noise or movement is observed. If a malfunction occurs, remove the unit from service and notify your supervisor or maintenance personnel about the issue.
- ALWAYS securely engage a fork/tine with the star knob **BEFORE** using the caddy to transport the tine.
- Push the caddy whenever it is loaded with a fork / tine to keep the end of the tine in sight. Avoid contact with the tine.
- DO NOT leave a fork in the caddy unattended. ALWAYS unload the caddy before it will be unattended for longer than a few minutes.
- DO NOT remove or obscure any label. All product labels must be readable and undamaged.
- DO NOT modify the caddy in any way **UNLESS** you first obtain written approval from Vestil. **Unauthorized modifications automatically void the limited warranty (see p. 5) and might make the caddy unsafe to use.**

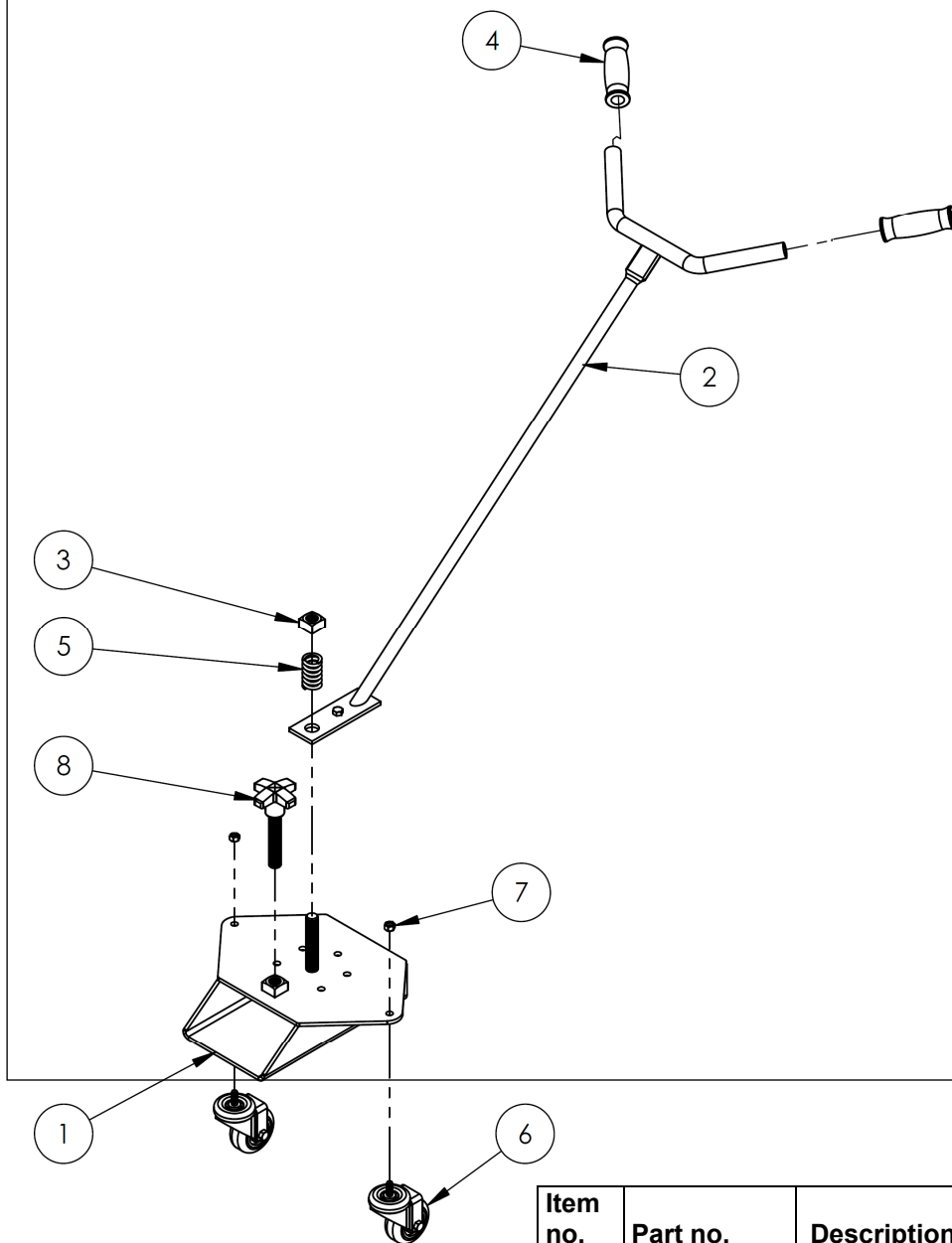


- Proper use, maintenance, and storage are essential for this product to function properly.
- Always use this product in accordance with the instructions in this manual and consistent with any relevant training.
 - Store the caddy someplace where it will remain dry.
 - Only use the caddy to transport forklift tines.

Product Specifications by Model:

Model	Fork Pocket (W x H x L)	Casters	Capacity	Net Weight
FC-29	6 ⁵ / ₈ in. x 2 ⁹ / ₁₆ in. x 12 ¹ / ₂ in. 16.8 cm x 6.5 cm x 31.8 cm	3in. x 1 ¹ / ₄ in. swivel 7.6cm x 3.2cm swivel	300 lb. 136.4kg	24.8 lb. 11.3 kg

FIG. 1: FC-29 exploded parts diagram and bill of materials

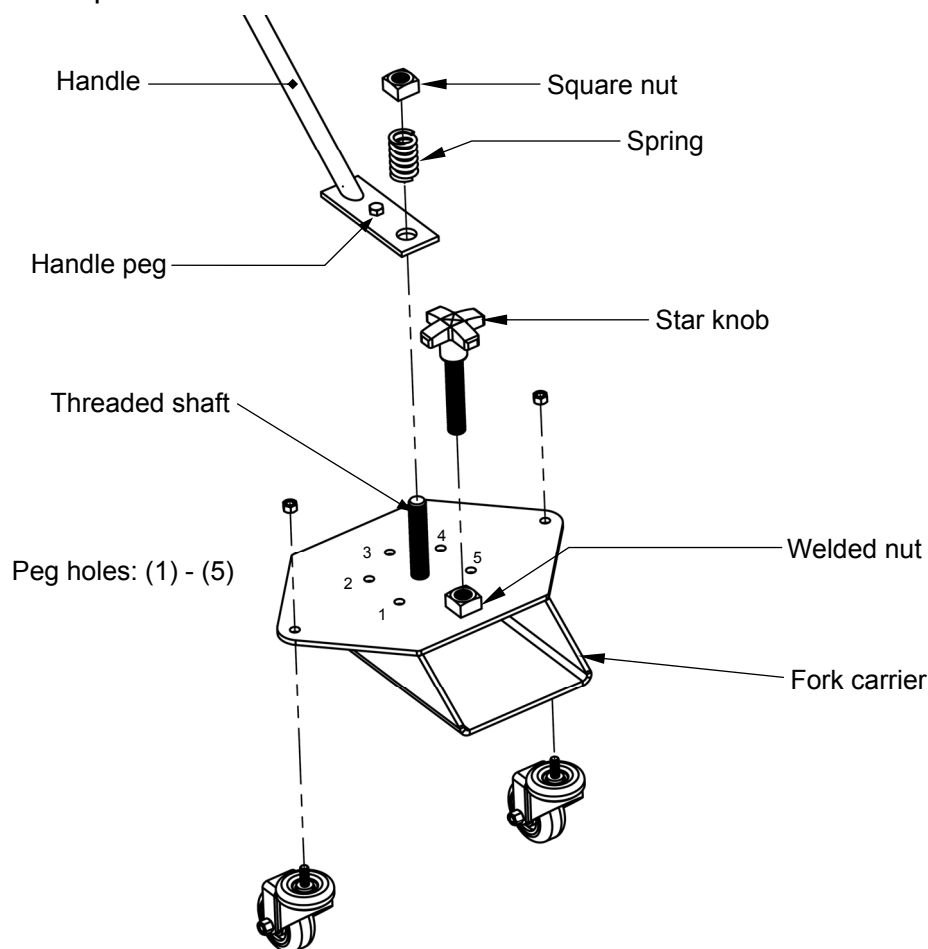


Item no.	Part no.	Description	Quantity
1	33-528-008	Weldment, base	1
2	33-525-012	Weldment, handle assembly	1
3	37633	³ / ₄ in. – 10 plain square nut	1
4	15-025-006	Grip, handle	2
5	21-146-004	Spring	1
6	16-132-164	Caster	2
7	36106	³ / ₈ in. – 16 zinc-plated hex nut	2
8	08-025-008	4in. threaded knob (star knob)	1

Assembly:

Attach the handle to the fork carrier:

1. Slide the handle over the threaded shaft and align the handle peg with the desired peg hole; then
2. Slide the spring onto the threaded shaft; and
3. Secure the handle and spring in place with a square nut. Tighten the nut firmly against the spring.
4. Wind the end of the star knob into the welded nut on top of the fork carrier. Only wind the knob until the end is flush with the top of the fork carrier. The knob should not project into the space of the fork carrier.

**Operation**

Raise the forks of your lift truck sufficiently for the fork carrier to slide over the fork. Slide the fork carrier all the way to the heel of the fork; then tighten the star knob firmly against the fork to prevent it from sliding. Pivot the handle forward to raise the handle peg out of the peg hole and then rotate the handle to align the peg with one of the peg holes along the sides of the carrier (1, 2, 4, or 5).

Maintenance: Always inspect the fork caddy before using it.

1. Check the soundness of the fastener connections (square nuts, hex nuts, star knob).
2. Inspect the casters to confirm normal motion and state of wear. If either caster is excessively worn, immediately tag the unit "OUT OF SERVICE" and replace the caster before returning the unit to service.
3. Inspect the threaded shaft, spring, and handle and confirm that each part is undamaged (for example, not bent or cracked) and in normal condition.

LIMITED WARRANTY

Vestil Manufacturing Corporation (“Vestil”) warrants this product to be free of defects in material and workmanship during the warranty period. *Our warranty obligation is to provide a replacement for a defective original part if the part is covered by the warranty, after we receive a proper request from the warrantee (you) for warranty service.*

Who may request service?

Only a warrantee may request service. *You are a warrantee if* you purchased the product from Vestil or from an authorized distributor AND Vestil has been fully paid.

What is an “original part”?

An original part is a part used to make the product as shipped to the warrantee.

What is a “proper request”?

A request for warranty service is proper if Vestil receives: 1) a photocopy of the Customer Invoice that displays the shipping date; AND 2) a written request for warranty service including your name and phone number. Send requests by any of the following methods:

<u>Mail</u>	<u>Fax</u>	<u>Email</u>
Vestil Manufacturing Corporation 2999 North Wayne Street, PO Box 507 Angola, IN 46703	(260) 665-1339 <u>Phone</u> (260) 665-7586	sales@vestil.com

In the written request, list the parts believed to be defective and include the address where replacements should be delivered.

What is covered under the warranty?

After Vestil receives your request for warranty service, an authorized representative will contact you to determine whether your claim is covered by the warranty. Before providing warranty service, Vestil may require you to send the entire product, or just the defective part or parts, to its facility in Angola, IN. The warranty covers defects in the following *original* dynamic components: motors, hydraulic pumps, electronic controllers, switches and cylinders. It also covers defects in *original* parts that wear under normal usage conditions (“wearing parts”), such as bearings, hoses, wheels, seals, brushes, and batteries.

How long is the warranty period?

The warranty period for original dynamic components is 1 year. For wearing parts, the warranty period is 90 days. The warranty periods begin on the date when Vestil ships the product to the warrantee. If the product was purchased from an authorized distributor, the periods begin when the distributor ships the product. Vestil may, at its sole discretion, extend the warranty periods for products shipped from authorized distributors by *up to* 30 days to account for shipping time.

If a defective part is covered by the warranty, what will Vestil do to correct the problem?

Vestil will provide an appropriate replacement for any *covered* part. An authorized representative of Vestil will contact you to discuss your claim.

What is not covered by the warranty?

1. Labor;
2. Freight;
3. Occurrence of any of the following, which automatically voids the warranty:
 - Product misuse;
 - Negligent operation or repair;
 - Corrosion or use in corrosive environments;
 - Inadequate or improper maintenance;
 - Damage sustained during shipping;
 - Collisions or other incidental contacts causing damage to the product;
 - Unauthorized modifications: DO NOT modify the product IN ANY WAY without first receiving written authorization from Vestil. Modification(s) might make the product unsafe to use or might cause excessive and/or abnormal wear.

Do any other warranties apply to the product?

Vestil Manufacturing Corp. makes no other express warranties. All implied warranties are disclaimed to the extent allowed by law. Any implied warranty not disclaimed is limited in scope to the terms of this Limited Warranty.

